

Bilge Level Switch

UNS-VA/SB4/5 Bilge Guard

Level switch with and without test function

Features

- Rugged and sturdy design for bilge monitoring

Applications

- Shipbuilding
- Sewage works
- Yacht building



Technical Data

Materials Stem, bracket, float chamber:	Stainless steel
Float	PE
Cable	Polymer, halogen-free, UL-V0
Cap nut	PA
Operating Pressure	max. 3 bar (float / +20 °C)
Temperature range	max. -20 °C ... +70 °C
Fluid specific gravity	min. 0.80 g/cm ³
Immersion depth at density 1 at density 0.8	28 ±2 mm L1 ~18 mm 35 ±2 mm L1 ~11 mm
Mounting position	vertical ±15°
Protection class	IP67, IP68
Electrical connection	Polymer cable, 2 x 0.75 mm ²
Cable length	2 m / 5 m / 10 m / 15 m
Contact type*	SPST switch (NO) (marking at bottom) By turning the float upside down: SPST switch (NC) (marking at top)
Contact rating	max. 230 V AC / DC max. 2.0 A max. 40 VA / W
Weight	SB4: approx. 175 g / SB5: approx: 180 g
Approvals	DNV, BV, RINA, LR
EX approval	IECEX TUN 17.0039X TÜV 18 ATEX 214370 X II 1 G Ex ia IIC T6 Ga or II 1/2 G Ex ia IIC T6 Ga/Gb or II 2 G Ex ia IIC T6 Gb or II 1 D Ex ia IIIC T100°C Da

* The contact types (NO or NC) are defined on the basis of dry position of float and cable pointing vertically upwards.

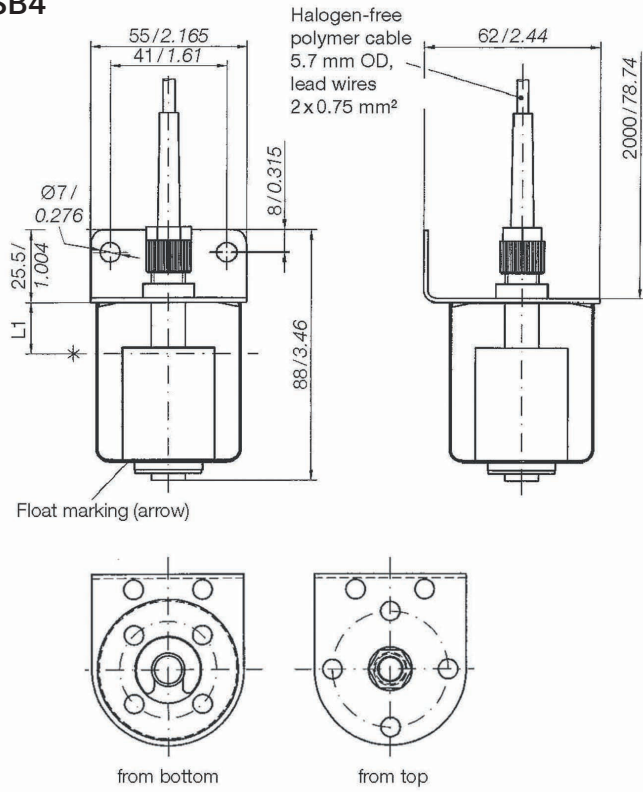
Order Code

Type	Contact type	Cable type/length	Order No.
UNS-VA/SB4 Bilge Guard	NO (NC)	Polymer / 2 m	0111-509
	NO (NC)	Polymer / 5 m	0111-529
	NO (NC)	Polymer / 10 m	0111-660
	NO (NC)	Polymer / 15 m	0111-528
UNS-VA/SB5 Bilge Guard	NO (NC)	Polymer / 2 m	0111-510
	NO (NC)	Polymer / 5 m	0111-652
	NO (NC)	Polymer / 10 m	0111-531
	NO (NC)	Polymer / 15 m	0111-534

Type	Contact type	Cable type/length	Order No.
UNS-VA/SB4 Bilge Guard - EX Version	NO (NC)	Polymer / 2 m	0111-669
	NO (NC)	Polymer / 5 m	0111-653
	NO (NC)	Polymer / 10 m	0111-698
	NO (NC)	Polymer / 15 m	0111-718
UNS-VA/SB5 Bilge Guard - EX Version	NO (NC)	Polymer / 2 m	0111-537
	NO (NC)	Polymer / 5 m	0111-716
	NO (NC)	Polymer / 10 m	0111-765
	NO (NC)	Polymer / 15 m	0111-760

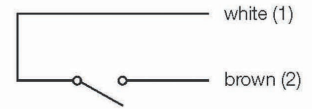
Dimensions (mm / inch)

SB4

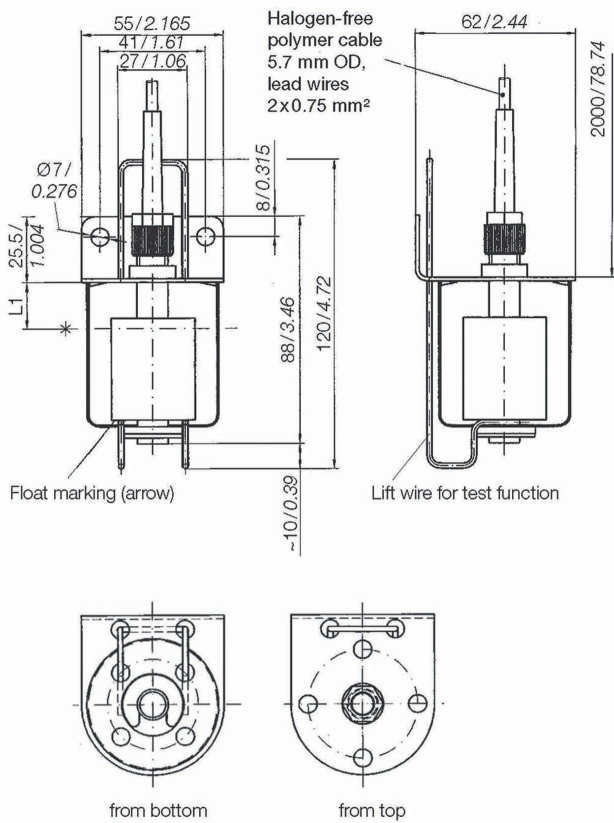


SB4

Color code
NO (NC)



SB5



SB5

Color code
NO (NC)

