

# Diaphragm-Seal Piston Pressure Switch

## MSPS

Mechanical single switch  
Repeatability  $\pm 2.0\%$  at constant temperature

### Features

- Metal diaphragm pressure switch,
- Set point can be adjusted with corresponding reference unit during operation

### Adjustments ranges

- 0,1 ... 6,8 bar

### Applications

- Air conditioning
- Ventilation control
- Steam ejectors



### Technical Data

Wetted parts:	
Diaphragm	NBR
Process connection	Stainless Steel 1.4401
Repeatability	$\pm 2\%$ at constant temperature
Switching rate	max. 20/min
Temperature range	-5 °C... +70 °C
Protection class	IP00
Housing	---
Process connection	1/8" NPT male thread
Electrical connection	Spade connector 6,3 DIN 46244

Electrical ratings and hysteresis:	Many micro switch versions with different switching power and hysteresis are applicable and make it possible to make customized changes.
Weight:	MSPS-...: approx. 0,2 kg
Set point adjustment	Turn the adjustment screw clockwise to increase the set point
Approval:	---

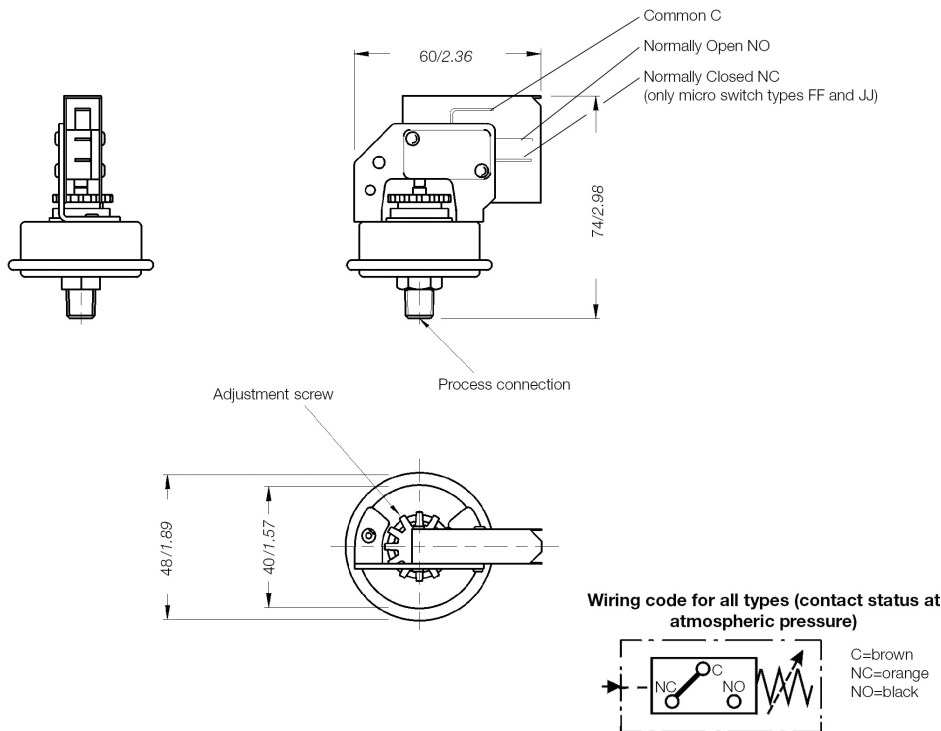
### Pressure Ranges

Pressure range code	Adjustment range [bar]		Max. operating pressure [bar]	Proof pressure [bar] (short term)	The resulting hysteresis is approx. ... bar at the end of range		
	Druck steigend	Druck fallend			EE [bar]	FF [bar]	JJ, MM [bar]
5SS	0.1 ... 0.34	0.04 ... 0.305	4.6	6.9	0.035	0.055	0.040
15SS	0.2 ... 1.00	0.10 ... 0.900	4.6	6.9	0.055	0.138	0.068
100SS	1.2 ... 6.80	0.70 ... 6.300	6.8	10.0	0.540	0.827	0.620

# Diaphragm-Seal Piston Pressure Switch

## MSPS

### Dimensions (mm / inch)



### Electrical Ratings

Micro switch	Special features	Volt AC 50/60 Hz	Ind. Last A	Res. Last A	Volt DC	Ind. Last A	Res. Last A	Comments
EE, FF	Micro switch with silver contacts	125 250	3	3	--	--	--	Medium hysteresis; High AC voltage
MM, JJ	Micro switch with silver contacts	125 250	15	15	125 250	0.50 0.25	0.50 0.25	Medium hysteresis; High AC voltage

### Order code

Base model	
MSPS	Diaphragm Seal Piston Pressure Switch
<b>Micro switch contact</b>	
-EE	SPST (NO); 3 A @125/250 VAC
-FF	SPDT (WE); 3 A @125/250 VAC
-JJ	SPDT (WE); 15 A @125/250 VAC; 0.5 A @ 125 VDC; 0.25 A @ 250 VDC
-MM	SPST (NO); 25 A @125/250 VAC
<b>Pressure range</b>	
5	0.1 ... 0.34 bar
15	0.2 ... 1.00 bar
100	1.2 ... 6.80 bar
<b>Pressure connection</b>	
SS	Stainless steel, 1.4401
PLS <sup>1</sup>	Plastic, 1/8" NPT male
P4	Brass, 7/16-UNS-2A for 1/4" tube connection
<b>Diaphragm Material</b>	
Blank	Buna-N (standard)
-E <sup>2</sup>	Ethylene propylene (EPR)
-F	FDA approved Buna-N (no UL/CSA)
-V	Viton® diaphragm

### Example

MSPS -EE 15 SS

<sup>1)</sup> Only available with 5 pressure range

<sup>2)</sup> Only available with 5 and 15 pressure range